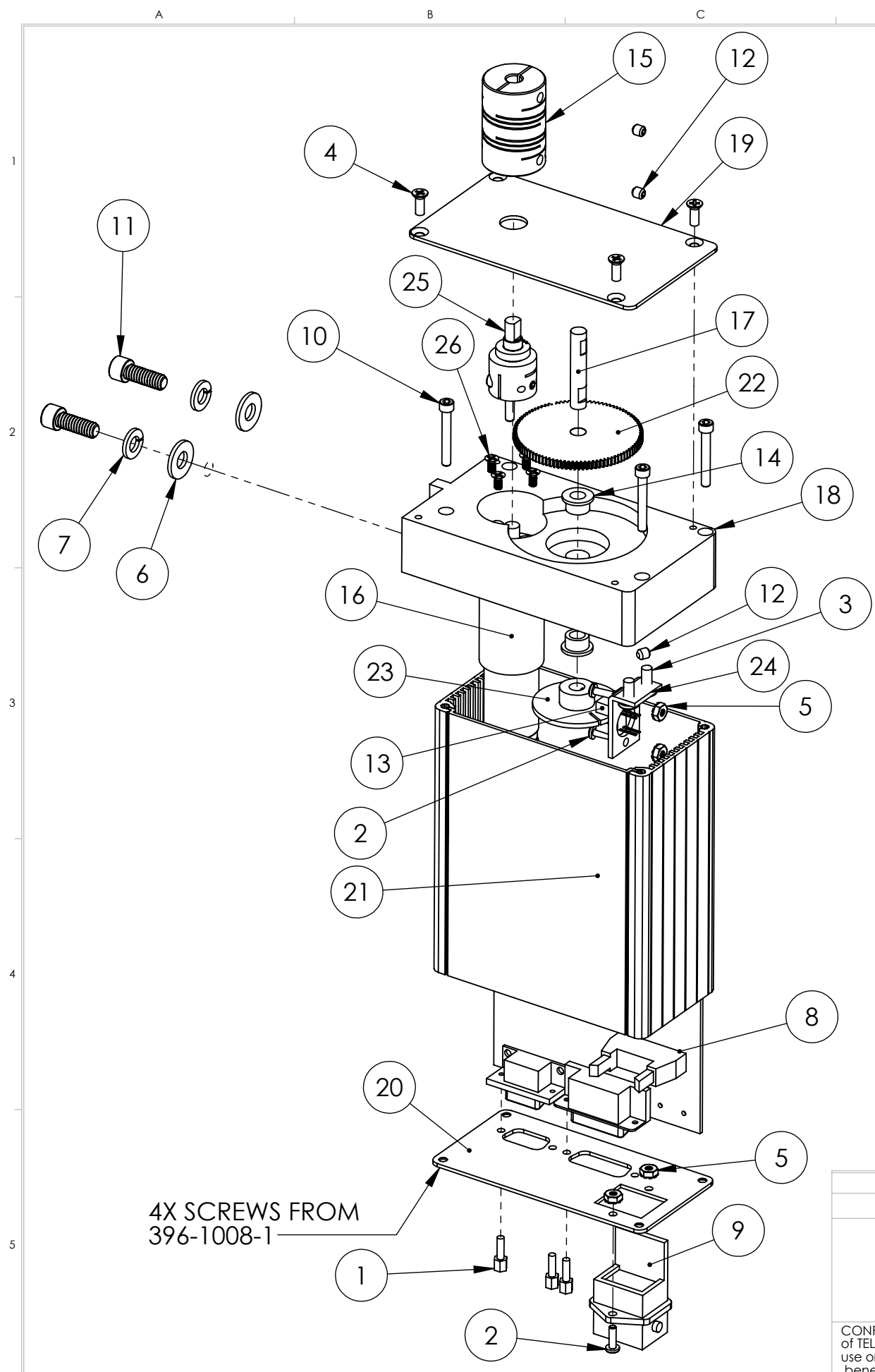


TELEMARK 396/398 E-Beam Indexer Drawings

The current version of this drawing pdf can be found at

<https://telemark.com/e-beam-accessories/indexers/>

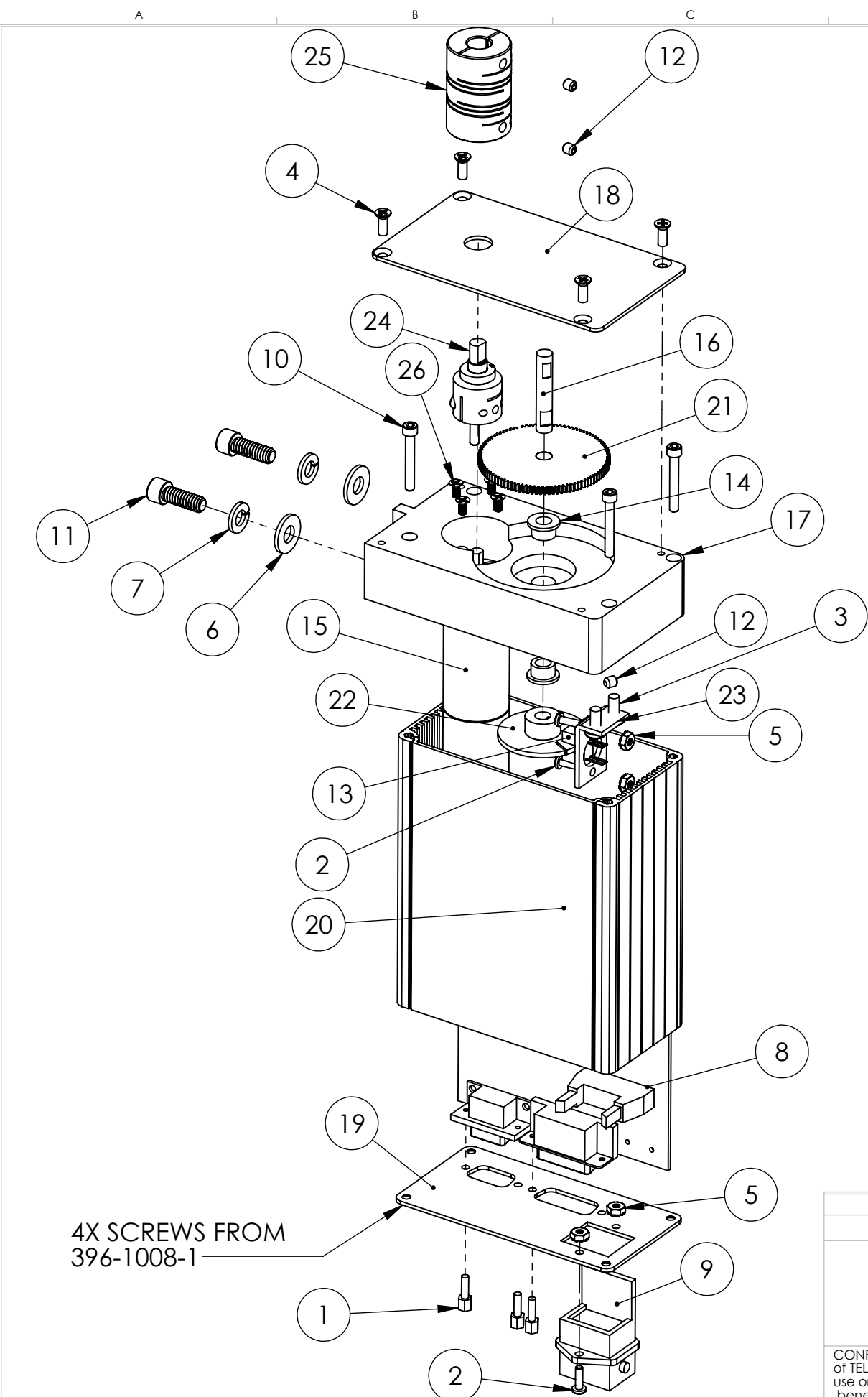
Drawing	Rev.	Description	Page
396-0530-1	D	Motor Assembly, 396, Standard	2
396-0530-2	D	Motor Assembly, 398 Indexer	3
396-0531-1	B	Motor Assembly, 396 w/Standoff	4
396-0531-2	A	Motor Assembly, 398 w/Standoff	5



ECN	ZONE	REV	DESCRIPTION	BY	DATE
		A	RELEASE	PWF	3/23/2016
		A1	UPDATE	PWF	6/7/2016
990712		B	UPDATE	PWF	8/2/2016
990778		B1	ADDED 396-0085-2, P/N FROM 271-6200-2 TO 271-6212-1	GPD	8/1/2017
990791		C	REVISED TITLE OF 296-0085-2	GPD	10/9/2017
990831		D	P/N FROM 271-6191-9 TO 271-6189-9	GPD	6/1/2018

ITEM NO.	PART NUMBER	DESCRIPTION	QTY.
1	110-0119-3	JACKSCREW, 4-40 X 1/4, ST, NI	4
2	110-4404-1	SCREW, #4-40 X 3/8, STEEL/ZINC, PAN, PHILLIPS	4
3	110-4612-1	SCREW, #6-32 X 3/8, STEEL/ZINC, PAN, PHILLIPS, LOCK.	2
4	110-4613-1	SCREW, #6-32 X 3/8, STEEL/ZINC, FLAT, PHILIPS	4
5	110-6001-1	NUT, #4-40 UNC, STEEL/ZINC, HEX, KEP, LOCK WASHER	4
6	110-7401-1	WASHER, 1/4, STEEL/ZINC, FLAT	2
7	110-7403-1	WASHER, 1/4, STEEL/ZINC, LOCK, SPLIT	2
8	120-0603-2	ASSEMBLY, PCB, MOTOR INTERFACE	1
9	124-1503-1	CHAS, HIRSCHMANN FEMALE, 3-PIN+G	1
10	271-6080-9	SCREW, #6-32 X 1-1/8" SST SHCS	4
11	271-6189-9	Screw, 1/4-20 X 11/16" SST, SHCS	2
12	271-6212-1	SET SCREW #8-32 X 3/16, SST	3
13	376-8056-2	OPTO SWITCH	1
14	376-9006-1	BUSHING	2
15	396-0085-2	COUPLER, 1/4" x 1/4" BORE, MODIFIED	1
16	396-0400-1	MOTOR, STANDARD, 396	1
17	396-1003-1	SHAFT	1
18	396-1004-1	MOTOR PLATE	1
19	396-1005-1	PLATE, GEAR	1
20	396-1007-2	END PLATE	1
21	396-1008-1	MOTOR COVER	1
22	396-1011-8	GEAR, 48 D.P., 96 TEETH, 20 DEG., ACETAL	1
23	396-1012-1	DISK	1
24	396-1013-1	BRACKET, OPTO	1
25	396-1017-1	SHAFT ASSEMBLY, 6MM	1
26	900-3010-601	SCREW, FLAT HD PHILLIPS, M3 x 6mm LG, SST	4

UNLESS OTHERWISE SPECIFIED GLOBAL TOLERANCES	DWG BY D. LY DATE CHECK BY DATE PROJ ENG DATE MFG ENG DATE	MATERIAL: B.O.M.	telemark.com MOTOR ASSEMBLY, 396
INCHES [mm] .X +/- .03 [0.762] .XX +/- 0.01 [0.254] .XXX +/- 0.005 [0.127]	DO NOT SCALE DRAWING	FINISH: SEE NOTES	
ANGLES +/- .5° SURF FINISH 63 RMS	FILE NUMBER - INITIAL PROJECT -	THIRD ANGLE PROJECTION	B SCALE 1:2 SHEET 1 of 1
CONFIDENTIAL. This document contains proprietary data of TELEMARK and is not to be copied or distributed without the prior written consent of TELEMARK. The receipt or possession of the document does not convey any rights to reproduce it, disclose its contents, or to manufacture, use or sell anything incorporating the concepts and details disclosed by it. Such concepts and details are not to be used other than for the benefit of TELEMARK and are not to be disclosed to others without the prior written consent of an officer of TELEMARK.			DWG NO. 396-0530-1 REV D



ECN	ZONE	REV	DESCRIPTION	BY	DATE
		A	RELEASE	PWF	4/2/2016
		A1	UPDATE	PWF	6/7/2016
990712		B	UPDATE	PWF	8/2/2016
990778		B1	ADDED 398-0085-2, P/N FRM 271-6200-2 TO 271-6212-1	GPD	8/1/2017
990791		C	P/N FROM 398-0085-2 TO 398-0085-1	GPD	10/9/2017
990831		D	P/N FROM 271-6191-9 TO 271-6189-9	GPD	6/1/2018

ITEM NO.	PART NUMBER	DESCRIPTION	QTY.
1	110-0119-3	JACKSCREW, 4-40 X 1/4, ST, NI	4
2	110-4404-1	SCREW, #4-40 X 3/8, STEEL/ZINC, PAN, PHILLIPS	4
3	110-4612-1	SCREW, #6-32 X 3/8, STEEL/ZINC, PAN, PHILLIPS, LOCK.	2
4	110-4613-1	SCREW, #6-32 X 3/8, STEEL/ZINC, FLAT, PHILIPS	4
5	110-6001-1	NUT, #4-40 UNC, STEEL/ZINC, HEX, KEP, LOCK WASHER	4
6	110-7401-1	WASHER, 1/4, STEEL/ZINC, FLAT	2
7	110-7403-1	WASHER, 1/4, STEEL/ZINC, LOCK, SPLIT	2
8	120-0603-2	ASSEMBLY, PCB, MOTOR INTERFACE	1
9	124-1503-1	CHAS, HIRSCHMANN FEMALE, 3-PIN+G	1
10	271-6080-9	SCREW, #6-32 X 1-1/8" SST SHCS	4
11	271-6189-9	Screw, 1/4-20 X 11/16" SST, SHCS	2
12	271-6212-1	SET SCREW #8-32 X 3/16, SST	3
13	376-8056-2	OPTO SWITCH	1
14	376-9006-1	BUSHING	2
15	396-0401-1	MOTOR, LARGE, 396	1
16	396-1003-1	SHAFT	1
17	396-1004-1	MOTOR PLATE	1
18	396-1005-1	PLATE, GEAR	1
19	396-1007-2	END PLATE	1
20	396-1008-1	MOTOR COVER	1
21	396-1011-8	GEAR, 48 D.P., 96 TEETH, 20 DEG., ACETAL	1
22	396-1012-1	DISK	1
23	396-1013-1	BRACKET, OPTO	1
24	396-1017-2	SHAFT ASSEMBLY, 5MM	1
25	398-0085-1	COUPLER, 1/4" x 3/8" BORES, MODIFIED	1
26	900-3010-601	SCREW, FLAT HD PHILLIPS, M3 x 6mm LG, SST	4

4X SCREWS FROM 396-1008-1

UNLESS OTHERWISE SPECIFIED	DWG BY D. LY DATE	MATERIAL:	B.O.M.
GLOBAL TOLERANCES	CHECK BY DATE	FINISH:	SEE NOTES
	PROJ ENG DATE	THIRD ANGLE PROJECTION	
	MFG ENG DATE		
	DO NOT SCALE DRAWING		
	FILE NUMBER -		
	INITIAL PROJECT -		

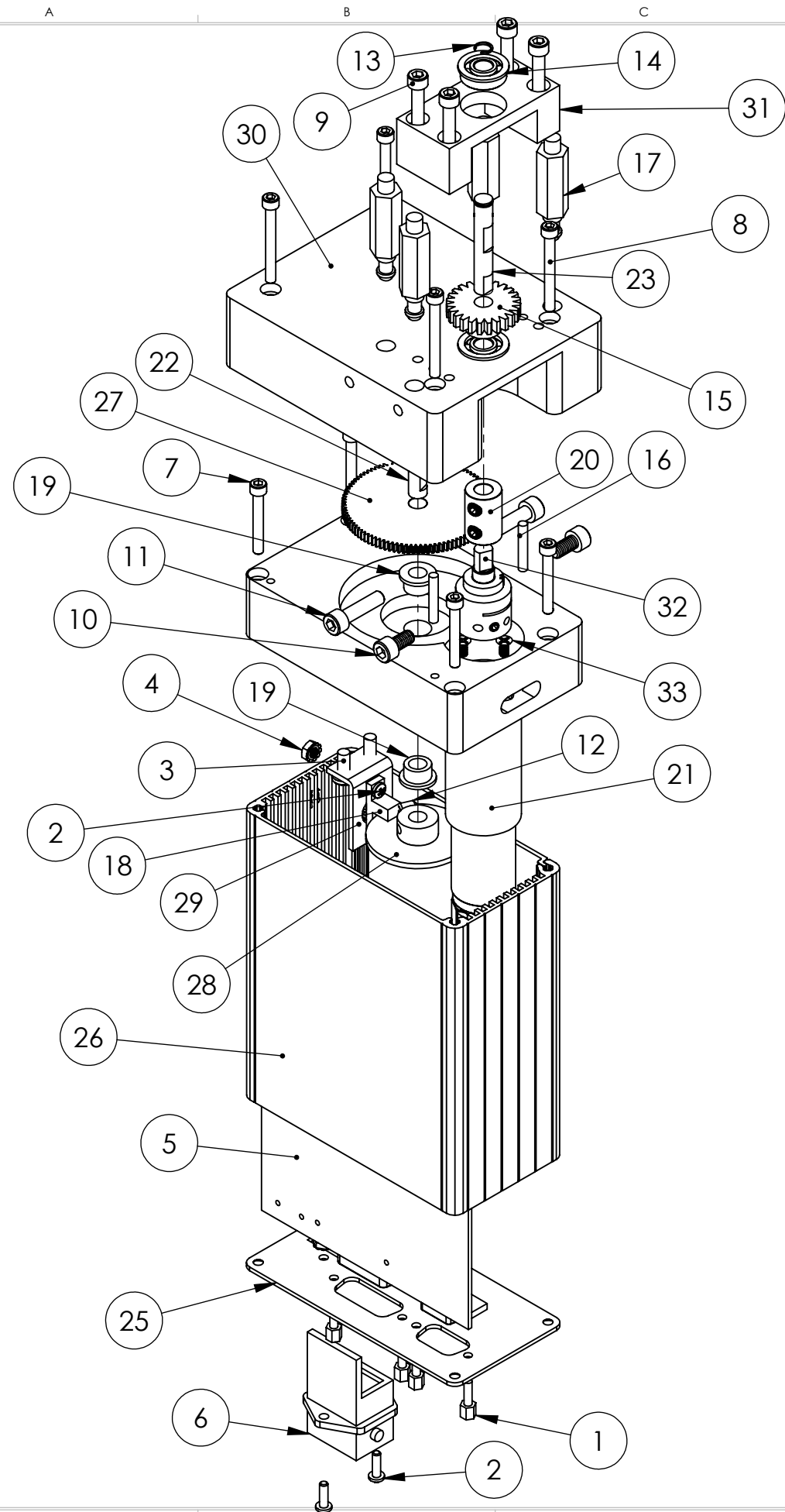
INCHES [mm]
.X +/- .03 [0.762]
.XX +/- 0.01 [0.254]
.XXX +/- 0.005 [0.127]
ANGLES +/- .5°
SURF FINISH 63 RMS



MOTOR ASSEMBLY, 398

CONFIDENTIAL. This document contains proprietary data of TELEMARK and is not to be copied or distributed without the prior written consent of TELEMARK. The receipt or possession of the document does not convey any rights to reproduce it, disclose its contents, or to manufacture, use or sell anything incorporating the concepts and details disclosed by it. Such concepts and details are not to be used other than for the benefit of TELEMARK and are not to be disclosed to others without the prior written consent of an officer of TELEMARK.

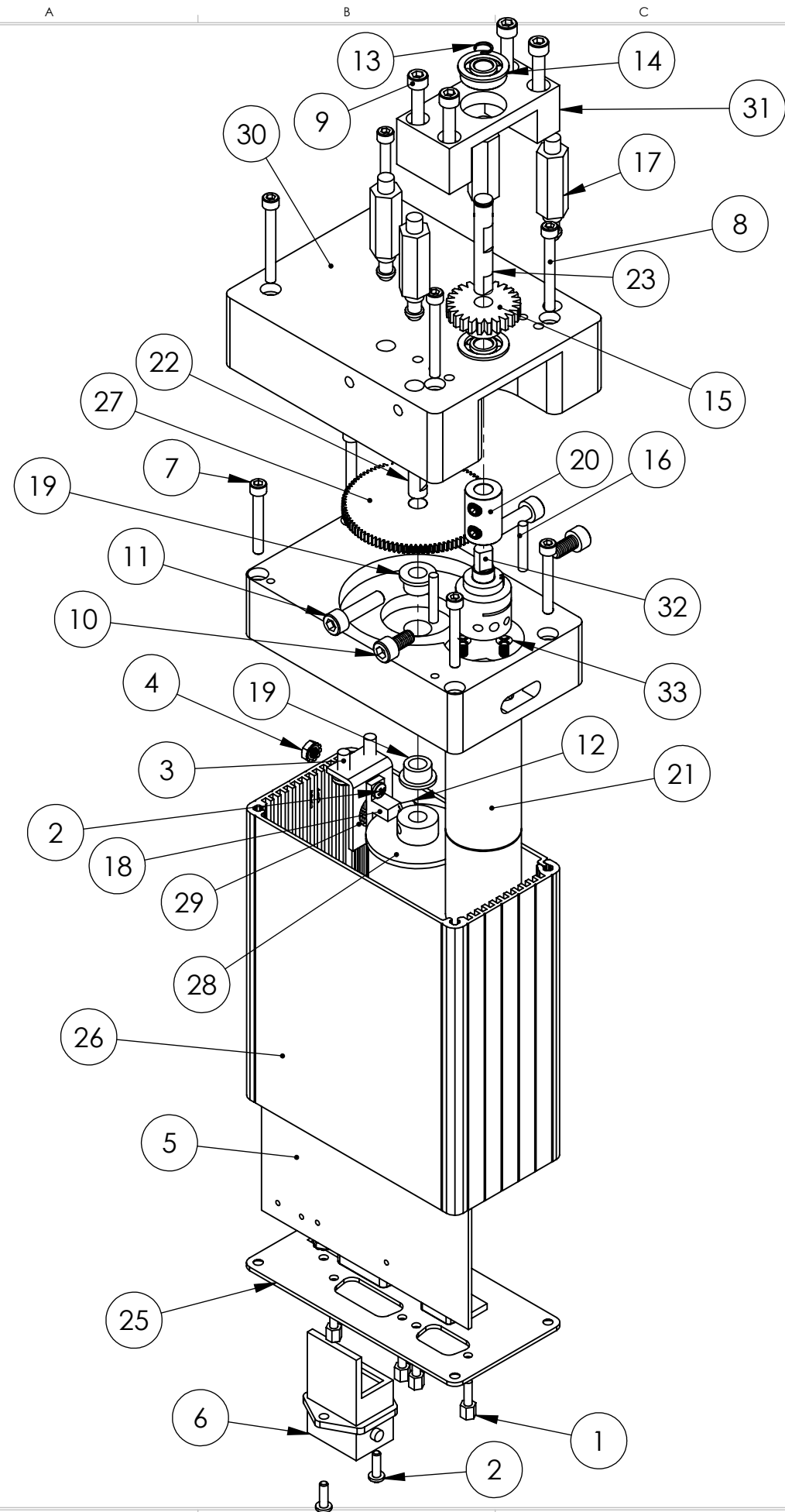
B	SCALE	1:2	DWG NO.	396-0530-2	REV	D
	SHEET	1 of 1				



ECN	ZONE	REV	DESCRIPTION	BY	DATE
		A	RELEASE	PWF	3/23/2016
		A1	UPDATE	PWF	6/7/2016
990712		B	UPDATE	PWF	7/29/2016


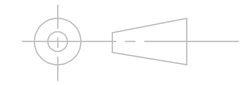
ITEM NO.	PART NUMBER	DESCRIPTION	QTY.
1	110-0119-3	JACKSCREW, 4-40 X 1/4, ST, NI	4
2	110-4404-1	SCREW, #4-40 X 3/8, STEEL/ZINC, PAN, PHILLIPS	4
3	110-4612-1	SCREW, #6-32 X 3/8, STEEL/ZINC, PAN, PHILLIPS, LOCK.	2
4	110-6001-1	NUT, #4-40 UNC, STEEL/ZINC, HEX, KEP, LOCK WASHER	4
5	120-0603-2	ASSEMBLY, PCB, MOTOR INTERFACE	1
6	124-1503-1	CHAS, HIRSCHMANN FEMALE, 3-PIN+G	1
7	271-6080-9	SCREW, #6-32 X 1-1/8" SST SHCS	4
8	271-6090-9	SCREW, #6-32 X 1-1/4" SST SHCS	4
9	271-6127-9	SCREW, #8-32 X 3/4" SST SHCS	4
10	271-6145-1	VENTED SCREW, #10-32 UNF X 3/8" SST SHCS	2
11	271-6171-9	SCREW, #10-32 X 3/4" SST SHCS.	2
12	271-6200-2	SET SCREW, #8-32 UNC X 1/4 SST.	1
13	271-6280-1	C-CLIP 1/4", SST	1
14	275-1308-1	RIGHT ANGLE FEEDTHRU OUTER BEARING	2
15	281-0150-1	GEAR, 24 TEETH	1
16	294-0087-1	PIN, 1/8 X .75	2
17	376-0472-2	MOTOR STAND-OFF	4
18	376-8056-2	OPTO SWITCH	1
19	376-9006-1	BUSHING	2
20	396-0086-1	Coupler, 1/4" x 1/4" Bore, SST, Set Screw	1
21	396-0400-1	MOTOR, STANDARD, 396	1
22	396-1003-1	SHAFT	1
23	396-1003-2	SHAFT, STANDOFF	1
24	396-1004-2	MOTOR PLATE, STANDOFF	1
25	396-1007-2	END PLATE	1
26	396-1008-1	MOTOR COVER	1
27	396-1011-8	GEAR, 48 D.P., 96 TEETH, 20 DEG., ACETAL	1
28	396-1012-1	DISK	1
29	396-1013-1	BRACKET, OPTO	1
30	396-1016-1	GEAR HOUSING	1
31	396-1016-5	GEAR HOUSING	1
32	396-1017-1	SHAFT ASSEMBLY, 6MM	1
33	900-3010-601	SCREW, FLAT HD PHILLIPS, M3 x 6mm LG, SST	4

UNLESS OTHERWISE SPECIFIED GLOBAL TOLERANCES		DWG BY CHECK BY PROJ ENG MFG ENG	DATE DATE DATE DATE	MATERIAL: B.O.M.	TELEMARK telemark.com
INCHES [mm] .X +/- .03 [0.762] .XX +/- 0.01 [0.254] .XXX +/- 0.005 [0.127]		DO NOT SCALE DRAWING		FINISH: SEE NOTES	
ANGLES +/- .5° SURF FINISH 63 RMS		FILE NUMBER - INITIAL PROJECT -		THIRD ANGLE PROJECTION	MOTOR ASSEMBLY, 396 W/STANDOFF
CONFIDENTIAL. This document contains proprietary data of TELEMARK and is not to be copied or distributed without the prior written consent of TELEMARK. The receipt or possession of the document does not convey any rights to reproduce it, disclose its contents, or to manufacture, use or sell anything incorporating the concepts and details disclosed by it. Such concepts and details are not to be used other than for the benefit of TELEMARK and are not to be disclosed to others without the prior written consent of an officer of TELEMARK.					
				SCALE 1:2	DWG NO. 396-0531-1
				SHEET 1 of 1	REV B



ECN	ZONE	REV	DESCRIPTION	BY	DATE
		A	RELEASE	PWF	7/9/2019

ITEM NO.	PART NUMBER	DESCRIPTION	QTY.
1	110-0119-3	JACKSCREW, 4-40 X 1/4, ST, NI	4
2	110-4404-1	SCREW, #4-40 X 3/8, STEEL/ZINC, PAN, PHILLIPS	4
3	110-4612-1	SCREW, #6-32 X 3/8, STEEL/ZINC, PAN, PHILLIPS, LOCK	2
4	110-6001-1	NUT, #4-40 UNC, STEEL/ZINC, HEX, KEP, LOCK WASHER	4
5	120-0603-2	ASSEMBLY, PCB, MOTOR INTERFACE	1
6	124-1503-1	CHAS, HIRSCHMANN FEMALE, 3-PIN+G	1
7	271-6080-9	SCREW, #6-32 X 1-1/8" SST SHCS	4
8	271-6090-9	SCREW, #6-32 X 1-1/4" SST SHCS	4
9	271-6127-9	SCREW, #8-32 X 3/4" SST SHCS	4
10	271-6145-1	VENTED SCREW, #10-32 UNF X 3/8" SST, SHCS	2
11	271-6171-9	SCREW, #10-32 X 3/4" SST SHCS.	2
12	271-6200-2	SET SCREW, #8-32 UNC X 1/4 SST.	1
13	271-6280-1	C-CLIP 1/4", SST	1
14	275-1308-1	RIGHT ANGLE FEEDTHRU OUTER BEARING	2
15	281-0150-1	GEAR, 24 TEETH	1
16	294-0087-1	PIN, 1/8 X .75	2
17	376-0472-2	MOTOR STAND-OFF	4
18	376-8056-2	OPTO SWITCH	1
19	376-9006-1	BUSHING	2
20	396-0086-1	Coupler, 1/4" x 1/4" Bore, SST, Set Screw	1
21	396-0401-1	MOTOR, LARGE, 396	1
22	396-1003-1	SHAFT	1
23	396-1003-2	SHAFT, STANDOFF	1
24	396-1004-2	MOTOR PLATE, STANDOFF	1
25	396-1007-2	END PLATE	1
26	396-1008-1	MOTOR COVER	1
27	396-1011-8	GEAR, 48 D.P., 96 TEETH, 20 DEG., ACETAL	1
28	396-1012-1	DISK	1
29	396-1013-1	BRACKET, OPTO	1
30	396-1016-1	GEAR HOUSING	1
31	396-1016-5	GEAR HOUSING	1
32	396-1017-2	SHAFT ASSEMBLY, 5MM	1
33	900-3010-601	SCREW, FLAT HD PHILLIPS, M3 x 6mm LG, SST	4

UNLESS OTHERWISE SPECIFIED GLOBAL TOLERANCES	DWG BY CHECK BY PROJ ENG MFG ENG	DATE DATE DATE DATE	MATERIAL: B.O.M.	 telemark.com
INCHES [mm] .X +/- .03 [0.762] .XX +/- 0.01 [0.254] .XXX +/- 0.005 [0.127]	DO NOT SCALE DRAWING		FINISH: SEE NOTES	
ANGLES +/- .5° SURF FINISH 63 RMS	FILE NUMBER - INITIAL PROJECT -		THIRD ANGLE PROJECTION	
CONFIDENTIAL. This document contains proprietary data of TELEMARK and is not to be copied or distributed without the prior written consent of TELEMARK. The receipt or possession of the document does not convey any rights to reproduce it, disclose its contents, or to manufacture, use or sell anything incorporating the concepts and details disclosed by it. Such concepts and details are not to be used other than for the benefit of TELEMARK and are not to be disclosed to others without the prior written consent of an officer of TELEMARK.				MOTOR ASSEMBLY, 398 W/STANDOFF
B		SCALE 1:2 SHEET 1 of 1	DWG NO. 396-0531-2	REV A