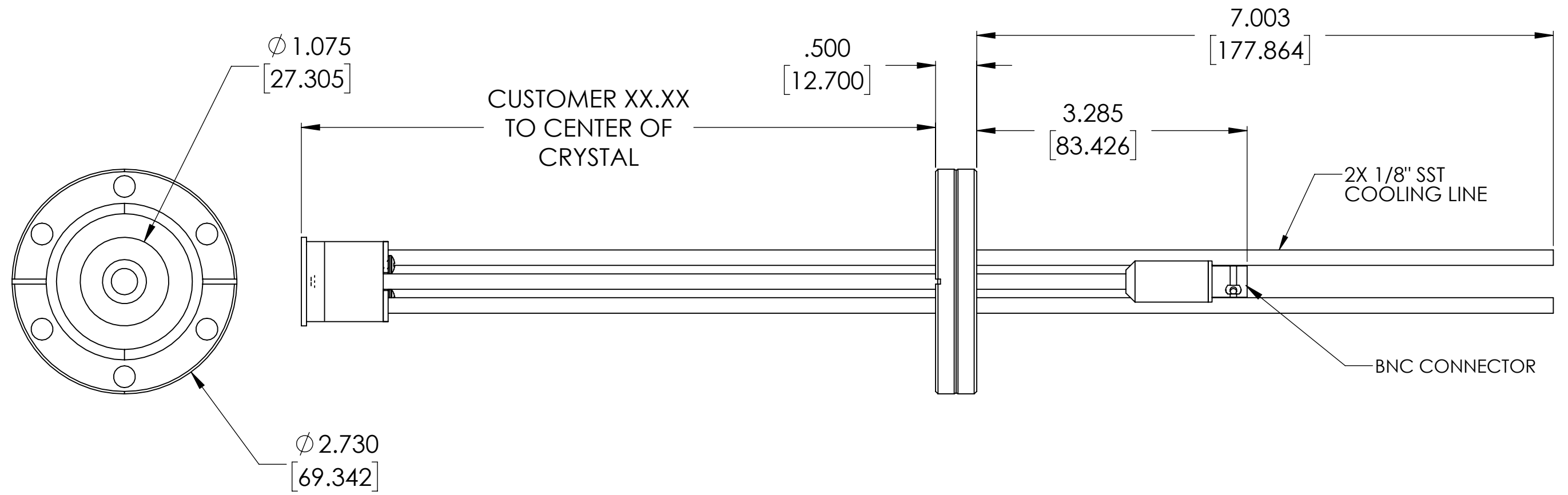


ECN	ZONE	REV	DESCRIPTION	BY	DATE
		A	RELEASE	PWF	9/28/2018



UNLESS OTHERWISE SPECIFIED GLOBAL TOLERANCES		DWG BY G. DION DATE 8-14-2017	MATERIAL: SEE PARTS LIST	TELEMARK Battle Ground, WA
INCHES [mm] .X +/- .03 [0.762] .XX +/- 0.01 [0.254] .XXX +/- 0.005 [0.127]		CHECK BY DATE PROJ ENG DATE MFG ENG DATE	FINISH: SEE NOTES	
ANGLES +/- .5° SURF FINISH 63 RMS		DO NOT SCALE DRAWING	THIRD ANGLE PROJECTION	SINGLE RIGHT ANGLE SENSOR, 2-3/4" CF
CONFIDENTIAL. This document contains proprietary data of TELEMARK and is not to be copied or distributed without the prior written consent of TELEMARK. The receipt or possession of the document does not convey any rights to reproduce it, disclose its contents, or to manufacture, use or sell anything incorporating the concepts and details disclosed by it. Such concepts and details are not to be used other than for the benefit of TELEMARK and are not to be disclosed to others without the prior written consent of an officer of TELEMARK.		FILE NUMBER - 880-3020-1 INITIAL PROJECT -		
				B SCALE 3:4 SHEET 1 of 1 DWG NO. R880-3020-1 REV A