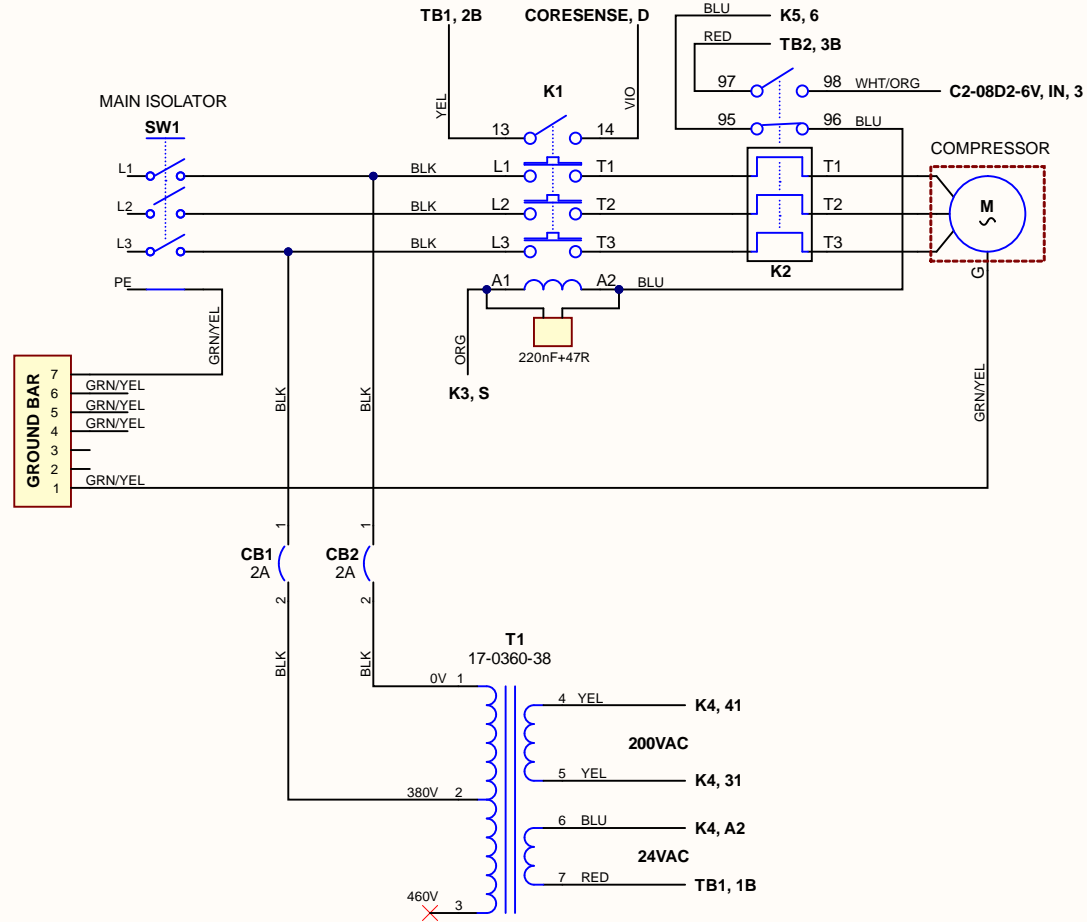


PROPRIETARY PROPERTY
 THIS DRAWING SHALL NOT BE DUPLICATED, DISCLOSED, OR USED FOR ANY PURPOSE OTHER THAN THAT FOR WHICH IT WAS PROVIDED, IN WHOLE OR IN PART, WITHOUT THE WRITTEN CONSENT OF TELEMAR.

REVISION HISTORY				
REV	DATE	DESCRIPTION	ECN	INIT
A	11/11/2025	INITIAL RELEASE		SB



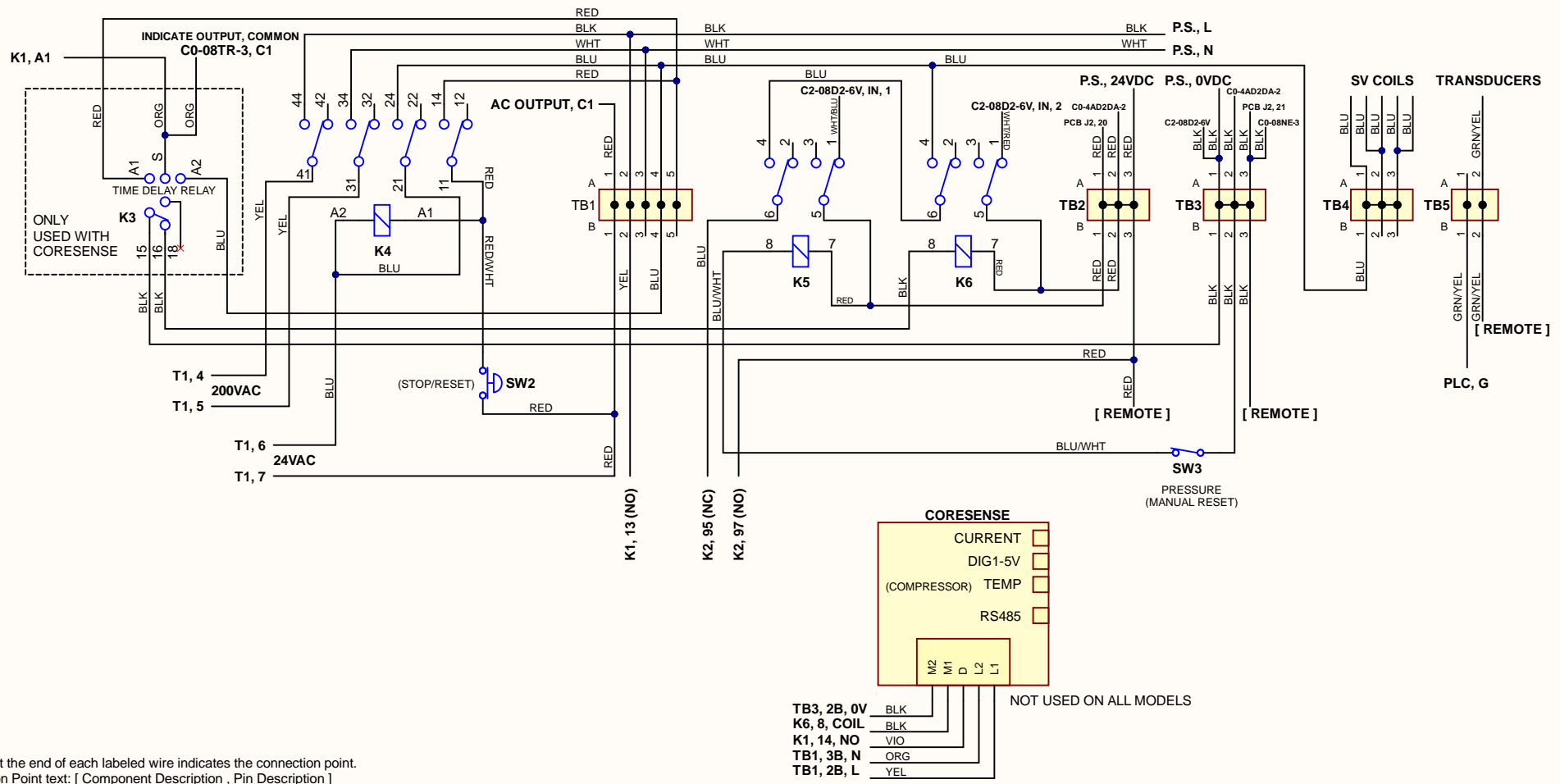
NOTES:
 The text at the end of each labeled wire indicates the connection point.
 Connection Point text: [Component Description , Pin Description]
 Wire Descriptor text: [Color]

- K1: CONTACTOR
- K2: OVERLOAD RELAY
- K3: TIME DELAY RELAY (NOT USED ON ALL MODELS)
- K4: AC COIL
- K5: DC COIL
- K6: DC COIL
- TB1, 1: 24VAC, RED
- TB1, 2: 200VAC, BLK
- TB1, 3: 200VAC RETURN, WHT
- TB1, 4: 24VAC RETURN, BLU
- TB1, 5: 24VAC, RED
- TB2: 24VDC, RED
- TB3: 0VDC, BLK
- TB4: 24VAC RETURN, BLU
- TB5: GROUND, GRN/YEL

TELEMAR CRYOCHILLER		TELEMAR
AC MAINS		
Part Number:	REV: A	CRYOGENICS 1801 SE COMMERCE AVENUE BATTLE GROUND, WA USA 1 (360)-723-5360 TELEMAR.COM
Sheet: 1 of 4	Engineer: SB	
Size: Letter (8.5" x 11")	Drawn By: SB	
Date: 11/12/2025	Checked By: TG	
Time: 4:20:01 PM	Approved By: TG	
File: Cryochiller AC MAINS.SchDoc		

PROPRIETARY PROPERTY
 THIS DRAWING SHALL NOT BE DUPLICATED, DISCLOSED, OR USED FOR ANY PURPOSE OTHER THAN THAT FOR WHICH IT WAS PROVIDED, IN WHOLE OR IN PART, WITHOUT THE WRITTEN CONSENT OF TELEMAR.

REVISION HISTORY				
REV	DATE	DESCRIPTION	ECN	INIT
A	11/11/2025	INITIAL RELEASE		SB



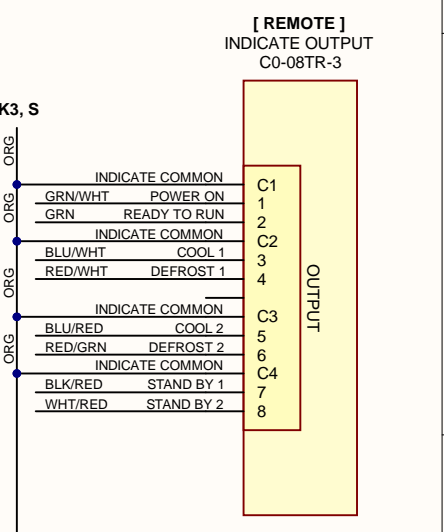
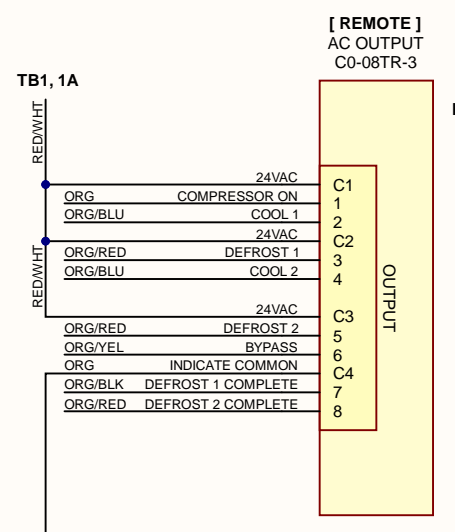
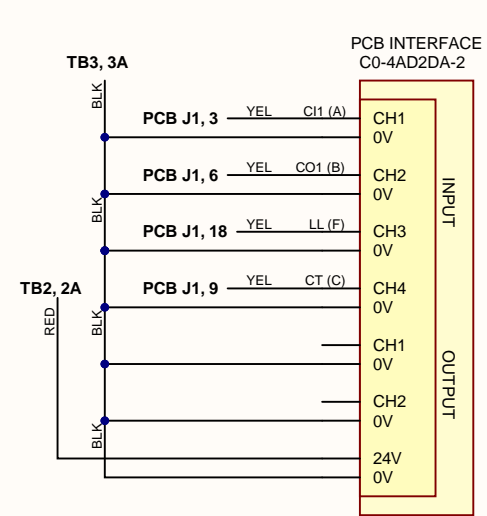
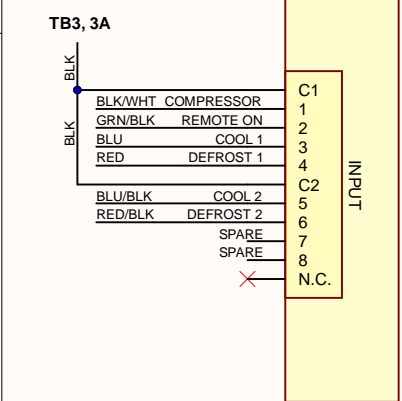
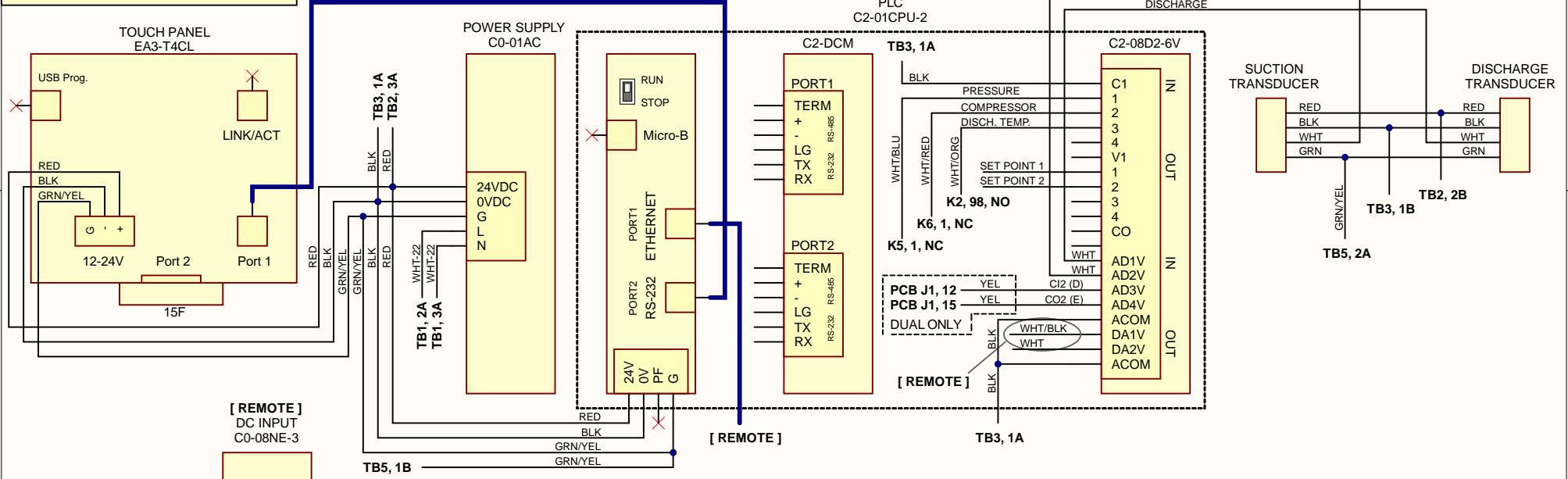
NOTES:
 The text at the end of each labeled wire indicates the connection point.
 Connection Point text: [Component Description , Pin Description]
 Wire Descriptor text: [Color]

- K1: CONTACTOR
- K2: OVERLOAD RELAY
- K3: TIME DELAY RELAY (NOT USED ON ALL MODELS)
- K4: AC COIL
- K5: DC COIL
- K6: DC COIL
- TB1, 1: 24VAC, RED
- TB1, 2: 200VAC, BLK
- TB1, 3: 200VAC RETURN, WHT
- TB1, 4: 24VAC RETURN, BLU
- TB1, 5: 24VAC, RED
- TB2: 24VDC, RED
- TB3: 0VDC, BLK
- TB4: 24VAC RETURN, BLU
- TB5: GROUND, GRN/YEL

TELEMAR CRYOCHILLER		TELEMAR
RELAY/TERMINAL BLOCK		
Part Number:	REV: A	CRYOGENICS 1801 SE COMMERCE AVENUE BATTLE GROUND, WA USA 1 (360)-723-5360 TELEMAR.COM
Sheet: 2 of 4	Engineer: SB	
Size: Letter (8.5" x 11")	Drawn By: SB	
Date: 11/12/2025	Checked By: TG	
Time: 4:20:01 PM	Approved By: TG	
File: Cryochiller RELAY-TERMINAL BLOCK .SchDoc		

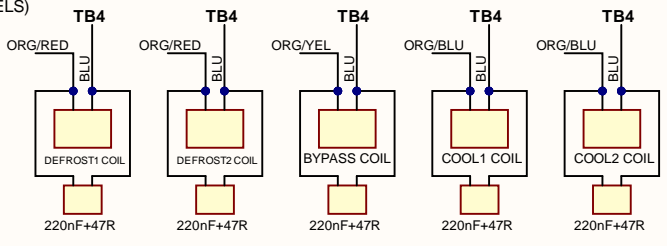
PROPRIETARY PROPERTY
 THIS DRAWING SHALL NOT BE DUPLICATED, DISCLOSED, OR USED FOR ANY PURPOSE OTHER THAN THAT FOR WHICH IT WAS PROVIDED, IN WHOLE OR IN PART, WITHOUT THE WRITTEN CONSENT OF TELEMAR.

REVISION HISTORY				
REV	DATE	DESCRIPTION	ECN	INIT
A	11/11/2025	INITIAL RELEASE		SB



NOTES:
 The text at the end of each labeled wire indicates the connection point.
 Connection Point text: [Component Description , Pin Description]
 Wire Descriptor text: [Color]

- K1: CONTACTOR
- K2: OVERLOAD RELAY
- K3: TIME DELAY RELAY (NOT USED ON ALL MODELS)
- K4: AC COIL
- K5: DC COIL
- K6: DC COIL
- TB1, 1: 24VAC, RED
- TB1, 2: 200VAC, BLK
- TB1, 3: 200VAC RETURN, WHT
- TB1, 4: 24VAC RETURN, BLU
- TB1, 5: 24VAC, RED
- TB2: 24VDC, RED
- TB3: 0VDC, BLK
- TB4: 24VAC RETURN, BLU
- TB5: GROUND, GRN/YEL



TELEMAR CRYOCHILLER

PLC/DIGITAL INTERFACE

Part Number:	REV: A
Sheet: 3 of 4	Engineer: SB
Size: Letter (8.5" x 11")	Drawn By: SB
Date: 11/12/2025	Checked By: TG
Time: 4:20:01 PM	Approved By: TG
File: Cryochiller PLC-DIGITAL INTERFACE.SchDoc	

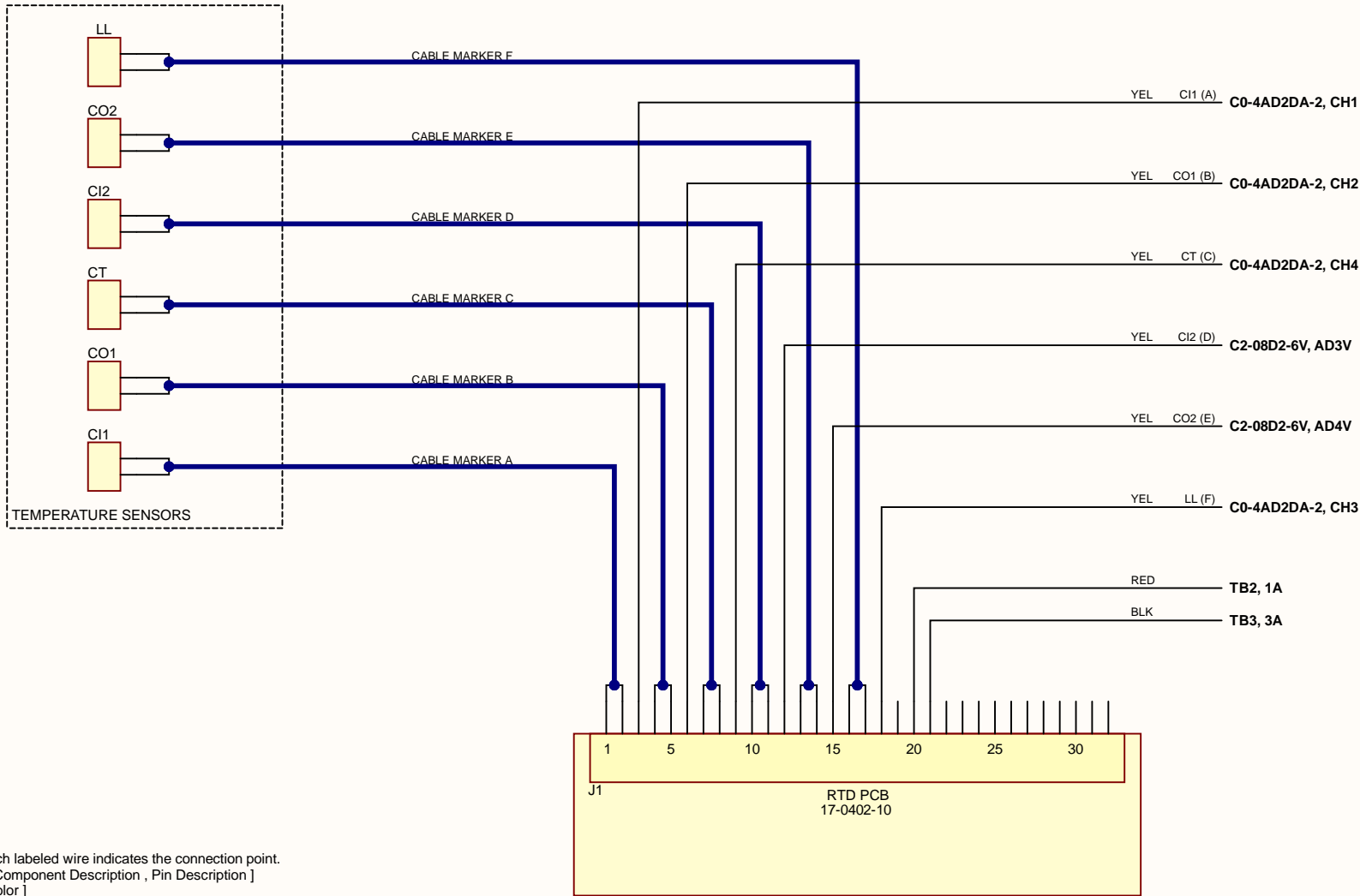
TELEMAR

CRYOGENICS

1801 SE COMMERCE AVENUE
 BATTLE GROUND, WA USA
 1 (360)-723-5360
TELEMAR.COM

PROPRIETARY PROPERTY
 THIS DRAWING SHALL NOT BE DUPLICATED, DISCLOSED, OR USED FOR ANY PURPOSE OTHER THAN THAT FOR WHICH IT WAS PROVIDED, IN WHOLE OR IN PART, WITHOUT THE WRITTEN CONSENT OF TELEMAR.

REVISION HISTORY				
REV	DATE	DESCRIPTION	ECN	INIT
A	11/11/2025	INITIAL RELEASE		SB



NOTES:
 The text at the end of each labeled wire indicates the connection point.
 Connection Point text: [Component Description , Pin Description]
 Wire Descriptor text: [Color]

- K1: CONTACTOR
- K2: OVERLOAD RELAY
- K3: TIME DELAY RELAY (NOT USED ON ALL MODELS)
- K4: AC COIL
- K5: DC COIL
- K6: DC COIL
- TB1, 1: 24VAC, RED
- TB1, 2: 200VAC, BLK
- TB1, 3: 200VAC RETURN, WHT
- TB1, 4: 24VAC RETURN, BLU
- TB1, 5: 24VAC, RED
- TB2: 24VDC, RED
- TB3: 0VDC, BLK
- TB4: 24VAC RETURN, BLU
- TB5: GROUND, GRN/YEL

TELEMAR CRYOCHILLER		REV: A
PCB INTERFACE		
Part Number:		
Sheet: 4 of 4	Engineer: SB	
Size: Letter (8.5" x 11")	Drawn By: SB	
Date: 11/12/2025	Checked By: TG	
Time: 4:20:01 PM	Approved By: TG	
File: Cryochiller PCB INTERFACE.SchDoc		

TELEMAR

CRYOGENICS

1801 SE COMMERCE AVENUE
 BATTLE GROUND, WA USA
 1 (360)-723-5360
TELEMAR.COM